

Product Features

Prospective design, Performance excellence;
 High cost-performance, Solution for street light replacement;
 With two specifications of the light pole's back cover: \varnothing 60mm and \varnothing 40mm.
 Multi Power Selection, Total 6 Models from 30W to 200W as option, Integrated design of driver box and arm, the whole aluminum lamp is able to heat dissipation.



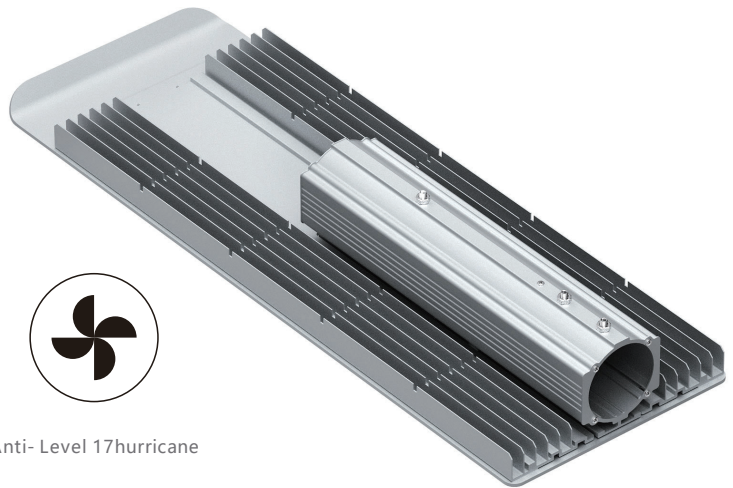
MODEL NO: LX-SL224D
(180W,200W,220W)

LED QTY: 224PCS
 (PHILIPS 3030)(OSRAM 3030)(NICHIA 3030)(CREE 3030)
 Hole Size: \varnothing 60-62mm or \varnothing 40-41mm
 Packing Type: 1 unit(s)/ctn
 Packing Dimension: 610*250*135mm

NW: \approx 5.8kg
 GW: \approx 6.8kg

LED By: **PHILIPS LUMILEDS** **OSRAM** Opto Semiconductors **NICHIA** **CREE**

Powered By: **MW MEAN WELL**



Protection grade reaches IP67



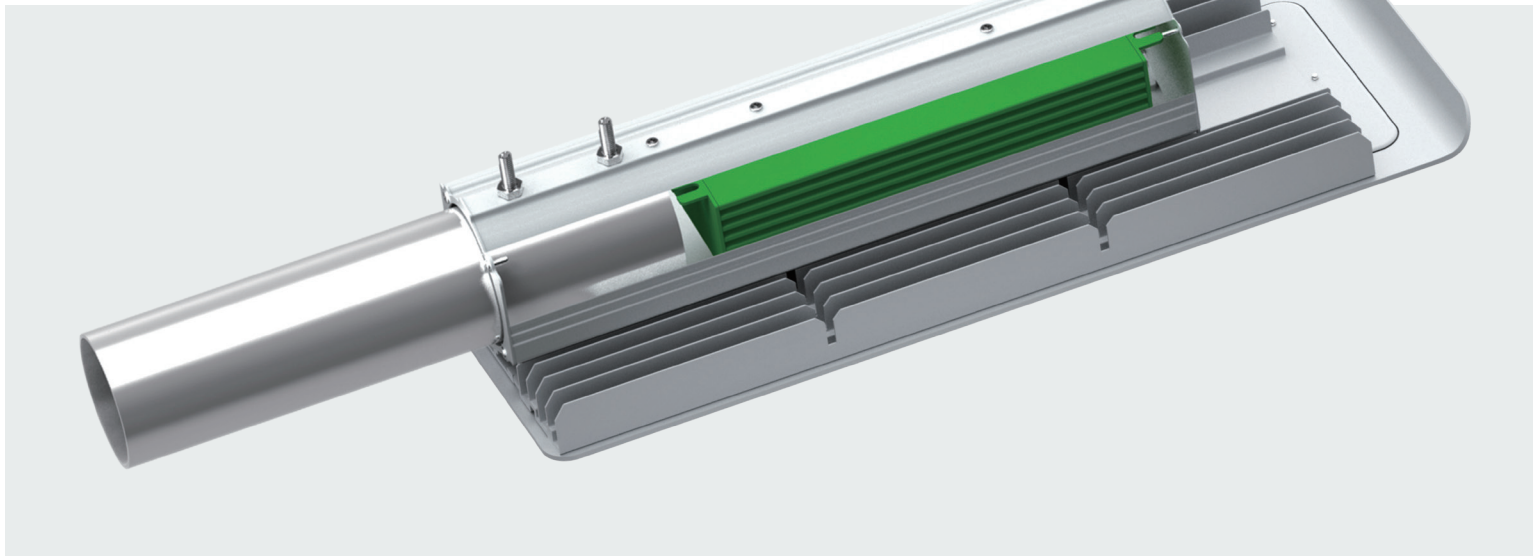
Anti- Level 17hurricane



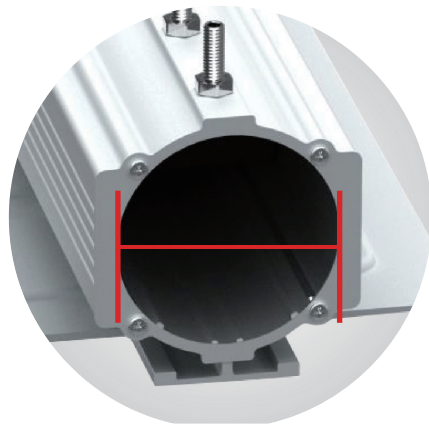
Working Temperature: -40~50°C Working Humidity: 10%~95%RH Best Working Temperature: -20°C~+30°C Storage Temperature: -40°C~+80°C

01 INTEGRATED DESIGN OF DRIVER BOX AND ARM

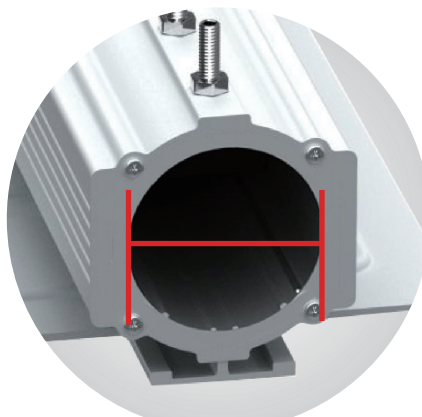
The integrated design of driver box and arm can save the space and reduce the wind resistance to the best.
(followings are abbreviated drawing, different watts, same functions.)



02 TWO SPECIFICATIONS OF THE LIGHT POLE,S BACK COVER, THE LAMPS CAN BE USED MORE WIDELY



60mm



40mm

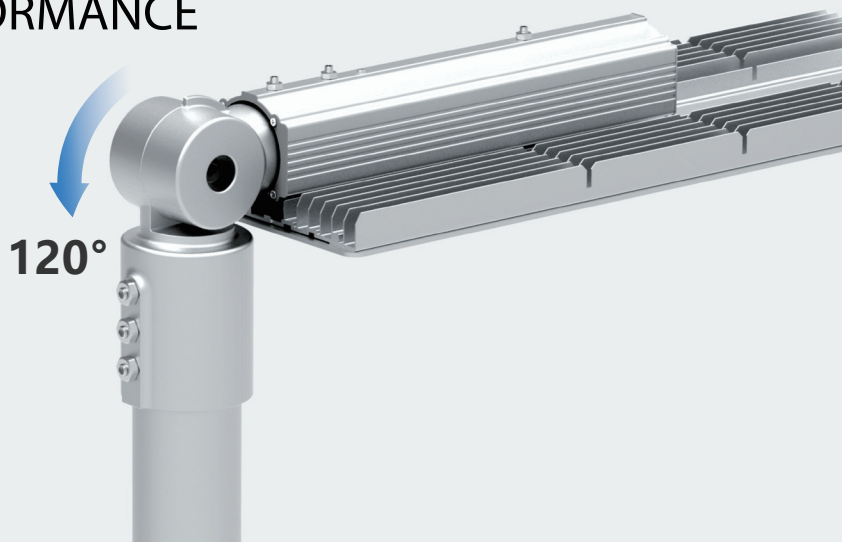
The integrated design of driver box and arm can save the space and reduce the wind resistance to the best.
(followings are abbreviated drawing, different watts, same functions.)

03 PROSPECTIVE DESIGN, PERFORMANCE EXCELLENCEA

(followings are abbreviated drawing, different watts, same functions.)

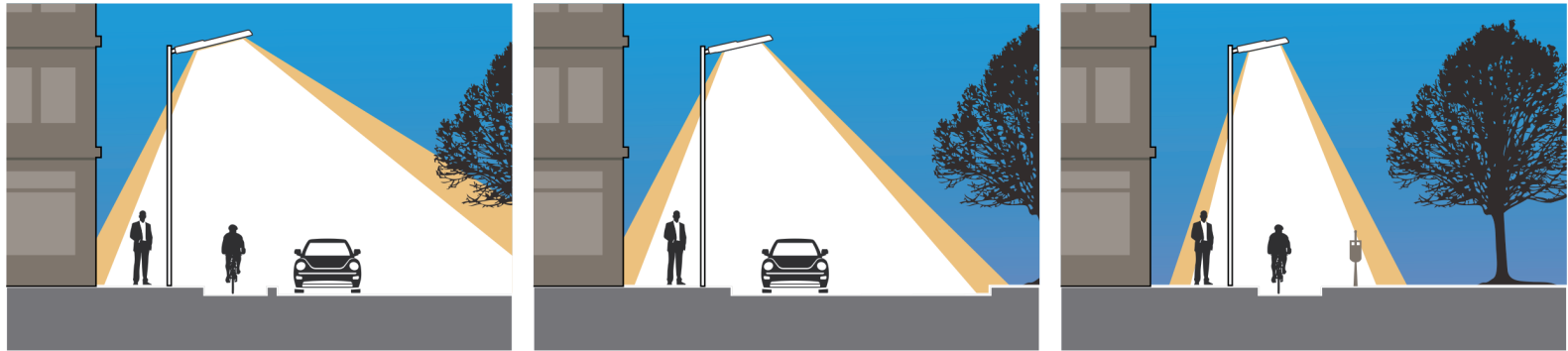
Configurable street lamp adapter

LUX street lamp adapter ,With clear scale, 120 ° Angle adjustable, light as they move.

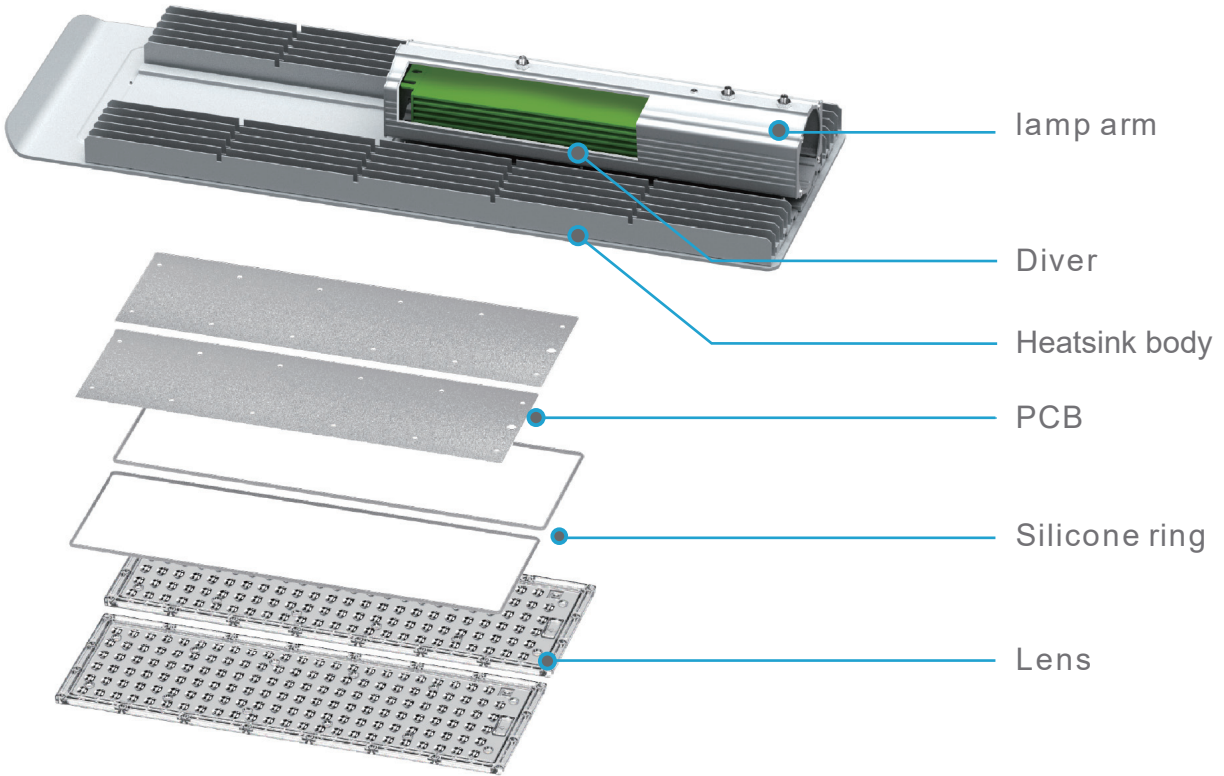


04 MULTI POWER SELECTION

SL-D series includes 30w、40w、50W、60w、 、 、150w、200w, A total of 6 heat radiating Suite product portfolio, according to the use of premises need to select appropriate heat radiating suite.



▶ Kits Show



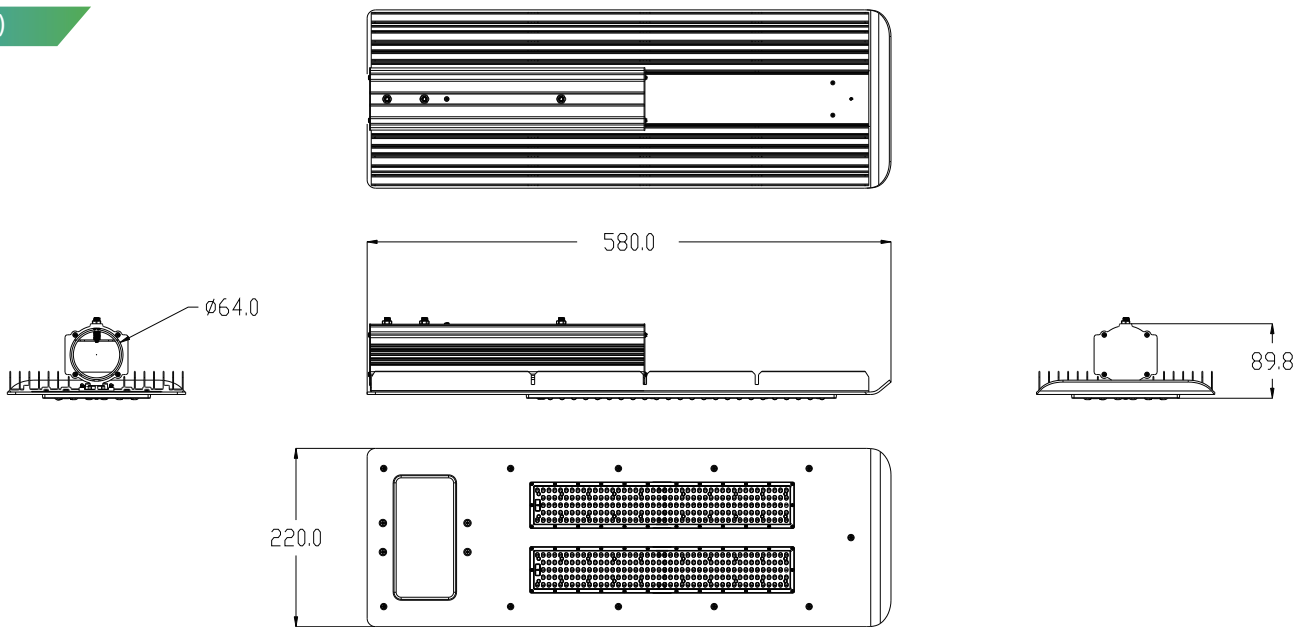
▶ Applications



Widely used in arterial roads, highways, elevated road, city streets, bridges, sidewalks road lighting, and the square, schools, residential areas, industrial areas, parks and other outdoor lighting places need.



Size(mm)



LX-SL224D	LED CHIP MODEL	POWER	LIGHT SOURCE	QUANTITY
		>125lm/ W 180W/200W/220W		X 244
		>120lm/ W 180W/200W/220W		X 244
		>120lm/ W 180W/200W/220W		X 244
		>110lm/ W 180W/200W/220W		X 244

ISO Illumination Data 200W

